



Beat more burglars with the only security mesh that's screw-clamped!

Single Sliding Safe-S-Capes™

- Doors
- Windows
- Patio Enclosures
- Cyclone Resistance
- Safe-S-Capes
 - Hinged
 - Double & Triple Sliding
 - Inswinging
- Commercial Systems
- Balustrade & Pool Fencing
- Fire Attenuation

Easy, secure access to outdoor entertaining areas...

Crimsafe's unique Safe-S- Cape™ is a keyless exit system. It lets you quickly exit in a fire or other emergency, but is just as hard to penetrate as all our other products because it features Crimsafe's screw-clamped mesh as well as a triple "anti-jemmy" design that protects the lock.

The Single-Sliding Safe-S-Cape is a sliding panel of Crimsafe. Along one edge of the panel is a full length locking stile that, when lightly pressed, releases along its entire length. With its one-touch and slide release, even a small child can operate a Sliding Safe-S-Cape.

Because it slides within a single track, the Single Sliding Safe-S-Cape can fit into tighter spots than Double- or Triple-Sliding Safe-S-Capes. It also makes the perfect sliding servery screen for kitchen windows.

There are two designs for servery spaces. In the first design, the moving panels slide from the side with the locking position on the jambs. And

in the second, unique design, the locking position is in the middle of the opening, creating a large servery space when the locking panels are slid apart to the left and to the right.

[More about Single Sliding Safe-S-Capes overleaf...](#)

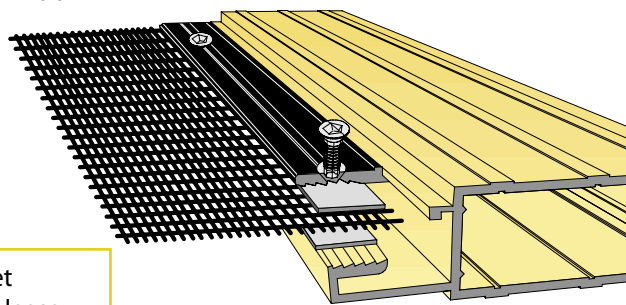




Applications -

These are window-types that can utilise Single Sliding/Servery Safe-S-Capes

- Fixed and Sliding Window Panel Combinations
- Servery Window



Only Crimsafe drives a screw right through mesh and frame – for unbeatable strength

Features & Benefits of Single Sliding/Servery Safe-S-Capes -

Keyless Exit and One-Touch Release	Peace of mind, knowing that in an emergency you can get out of the house fast thanks to the one-touch and slide release
Full Length Locking Stile	Increased strength due to continuous contact with the frame
Integrated Interlocking Panels	Locking panels enhance the strength of the system
Slimline Design	Heavy duty protection without heavy duty looks
Heavy Duty Rollers	We use high quality rollers designed for glass windows, so they will last even longer with relatively light Crimsafe panels
Easy Access to Window Surface	Crimsafe panel slides away from the window surface, enabling easy cleaning
Smaller Frame Sections	Boasting the strength of door frames, but with a smaller frame width
Screw-Clamped Security	Only Crimsafe clamps 304 Tensile Tuff Security Mesh between 2 serrated pieces of metal, then drives a screw right through both mesh and frame to ensure a vice-like grip...and beat burglars
Tamper-Resistant screws	Exclusive to Crimsafe. Screws can only be applied or removed by a tool registered with Crimsafe. This ensures the integrity of your security system
Custom Built	Means a perfectly fitted job. Product can be made to fit the design and format of your window
Enhanced Lifestyle	Crimsafe provides unhindered views, keeps out mosquitoes, and lets you keep a cool, safe house in Summer
Blocks Out at least 30% of UV Rays	Means a longer life for interior furnishings
Blocks Heat Transfer	Improves the energy rating of glass windows and keeps home cooler in Summer and warmer in Winter
Passes Australian Standards	Crimsafe always exceeds the relevant Australian and Industry Standards for security
Full Range of Colours	Crimsafe stocks a full range of standard colours so that the system you buy complements your home. Other colours are available on request
Guaranteed for 10 years	Crimsafe warrants the product from defects in materials under the conditions of normal use for up to 10 years from the date of purchase. Please refer to our Care Guide for more information



Visit www.crimsafe.com.au