



Beat more burglars with the only security mesh that's screw-clamped!

Patio Enclosures

Fixed Windows

Doors

Cyclone Resistance

Safe-S-Capes

- Single Sliding
- Double & Triple Sliding
- Hinged
- Inswinging

Commercial Systems

Balustrade & Pool Fencing

Fire Attenuation



Crimsafe windows are attractive and strong...

Crimsafe Fixed Window Panels are non-moving panels that can be face-fitted, reveal-fitted using our angled frame, or they can be fixed in the flyscreen track.

All Crimsafe windows use the unique screw-clamp system... tamper-resistant screws go through a metal clamp, then through the Tensile

Tuff mesh and then they're driven right into the frame, to hold the mesh in a "vice-like" grip which gives the window enormous strength against attack.

Our windows exceed Australian standards, rather than merely meeting them.

[More about windows overleaf...](#)

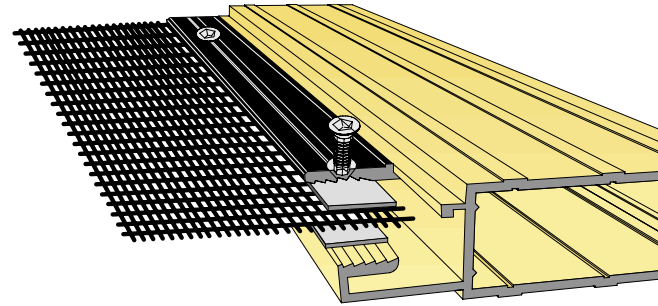




Applications -

These window-types can utilise Crimsafe Fixed Window Panels

- Sliding Windows
- Double Hung Windows
- Louvres
- Lap Louvres



Only Crimsafe drives a screw right through mesh and frame – for unbeatable strength

Features & Benefits of Crimsafe Fixed Window Products -

Easy Installation	Crimsafe Security System products are custom built off-site then quickly assembled at your home. Our fixed window panels are easy to install
Smaller Frame Sections	Boasting the strength of door frames, but with a smaller frame width
Slimline Design	Heavy duty protection without heavy duty looks – a cross-section reveals the frame is only 11mm thick and 35mm wide
Screw-Clamped Security	Only Crimsafe clamps 304 Tensile Tuff Security Mesh between 2 serrated pieces of metal, then drives a screw right through both mesh and frame to ensure a vice-like grip...and beat burglars
Tamper-Resistant screws	Exclusive to Crimsafe. Screws can only be applied or removed by a tool registered with Crimsafe. This ensures the integrity of your security system
Custom Built	Means a perfectly fitted job. Product can be made to fit the design and format of your windows
Enhanced Lifestyle	Crimsafe provides unhindered views, keeps out mosquitoes, and lets you keep a cool, safe house in Summer
Blocks Out at least 30% of UV Rays	Means a longer life for interior furnishings
Blocks Heat Transfer	Improves the Energy Rating of glass doors and keeps home cooler in Summer and warmer in Winter
Passes Australian Standards	Crimsafe always exceeds the relevant Australian and Industry Standards for security
Full Range of Colours	Crimsafe stocks a full range of standard colours so that the system you buy complements your home. Other colours are available on request
Guaranteed for 10 years	Crimsafe warrants the product from defects in materials under the conditions of normal use for up to 10 years from the date of purchase. Please refer to our Care Guide for more information



Visit www.crimsafe.com.au